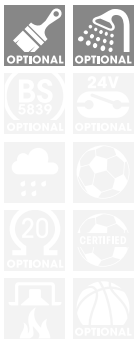
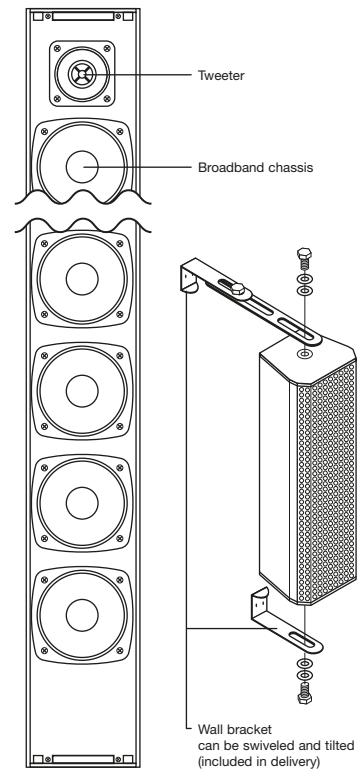


2-WAY COLUMN SPEAKERS



in 4 power classes
20 / 30 / 40 / 60 W
2-Way-System

100 V
PASSIVE
ACTIVE

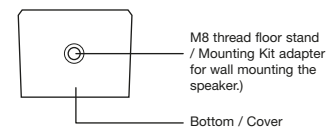


Description

The series LS-300 column speakers are made of sturdy, stove-enamelled sheet steel, the both covers of high firms plastic.

This modern, very wide-range, high-performance speaker combined with the tweeter provides an excellent speech and music reproduction.

- All column speakers in this series are equipped with a 100V transformer, which provides two possible power taps.
- The loudspeakers have a low impedance 8 ohm power tap.
- The grill is easily removed. It is easy to handle the impedance- and „low-cut“ selector switches. The speaker can be either used in- or outdoors. The scope of delivery contains a mounting set, for pan and tilt.



With the wall bracket included in the scope of delivery, the loudspeaker column can be swiveled as well as tilted.

Technical data	LS-320 W	LS-330 W	LS-340 W	LS-360 W
Load rating (Music power)	20 W (30 W)	30 W (45 W)	40 W (60 W)	60 W (90 W)
Tappings at 100V	20–10W – 8 ohms	30–15W – 8 ohms	40–20W – 8 ohms	60–40W – 8 ohms
Freq. range and „Low-Cut“-switch	250–15.000 Hz	250–15.000 Hz	250–15.000 Hz	250–15.000 Hz
Sound press. 1 W/1 m – SPL Pmax/1m	89 – 105 dB	90 – 107 dB	92 – 109 dB	93 – 112 dB
Speakers, installed	2 units + 1 Tweeter	3 units + 1 Tweeter	4 units + 1 Tweeter	6 units + 1 Tweeter
Dimensions (HxWxD)	368 x 90 x 85 mm	478 x 90 x 85 mm	568 x 90 x 85 mm	768 x 90 x 85 mm
Weight	approx. 2,2 kg	approx. 2,5 kg	approx. 4,2 kg	approx. 5,5 kg
Colour	similar RAL 9016			

Model designations

- Column Speaker, 20/30 W, 2-way, white **LS-320 W** | Column Speaker, 40/60 W, 2-way, white **LS-340 W**
 Column Speaker, 30/45 W, 2-way, white **LS-330 W** | Column Speaker, 60/90 W, 2-way, white **LS-360 W**