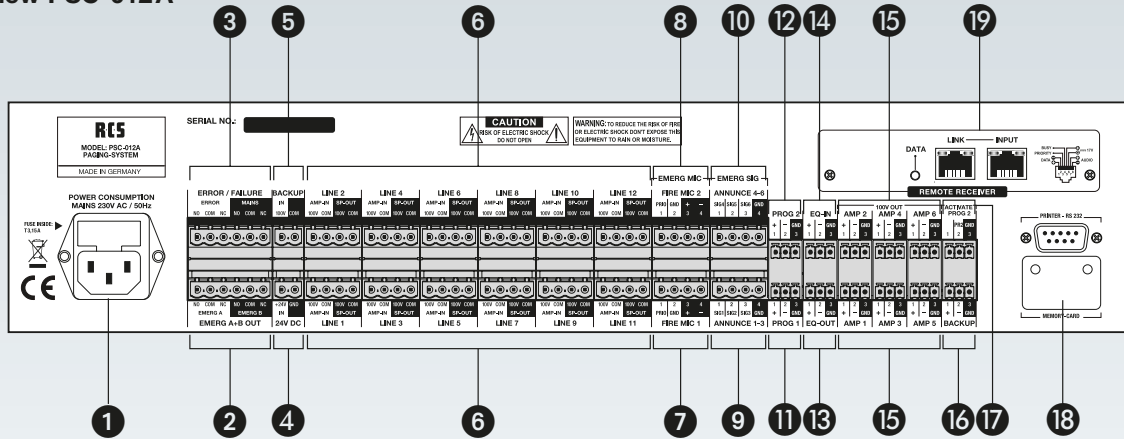


Rear view PSC-012A

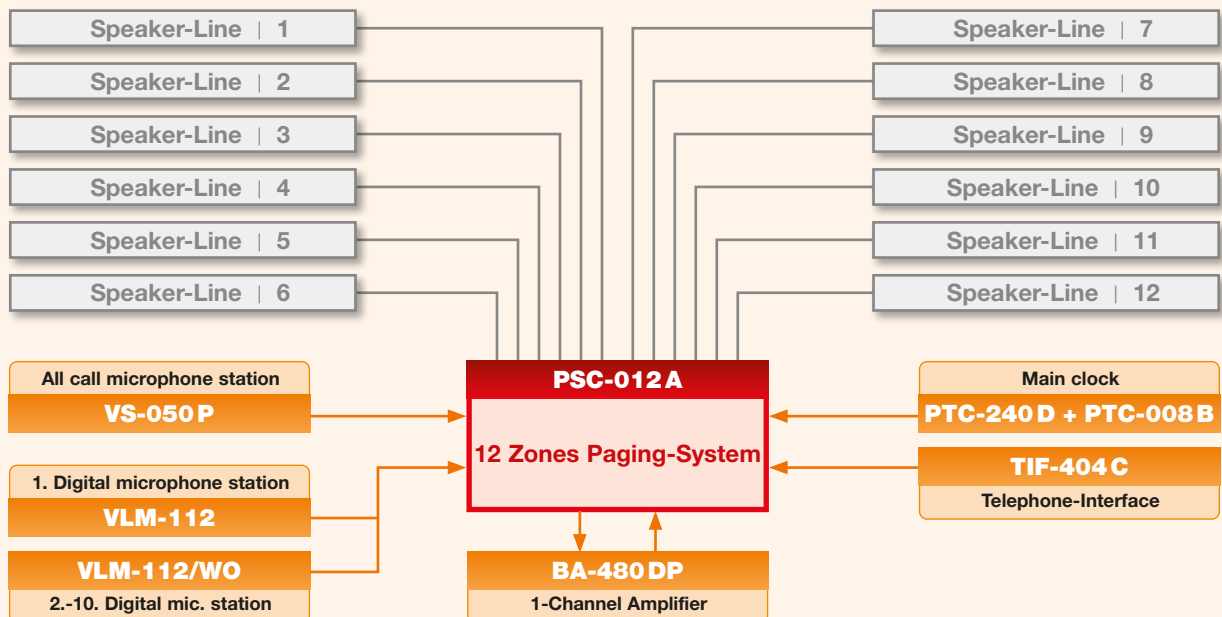


- ❶ Power supply input 230 V AC
- ❷ Output relay contact „Emergency“ A + B
- ❸ Output relay contact „Error“ and „Power failure“
- ❹ Input 24V-DC emergency power supply (optional)
- ❺ Input 100V Line from backup amplifier (optional)
- ❻ Speaker line 1-12
- ❼ Fire brigade call station 1
- ❽ Fire brigade call station 2
- ❾ Input for annunciator 1-3
- ❿ Input for annunciator 4-6
- ⓫ Line-level input program 1
- ⓬ Line-level input program 2
- ⓭ Line-level output for Equalizer
- ⓮ Line-level input for Equalizer
- ⓯ Line-level output for 100V amplifier 1-6
- ⓰ Line-level output for 100V backup amplifier (optional)
- ⓱ Contact input to activate program 2
- ⓲ Memory card for Textmessages
- ⓳ Digital Interface RR-120 (optional)

Technical data	PSC-012A
Speaker lines	12 lines, max. 480 W each
All call microphone stations	2 suitable
Digital microphone stations	up to 10 devices VLM-112/WO
Signal outputs	13x NF 0dB; transformer balanced; 12 x 100V
Signal inputs	2x NF 0dB; unbalanced (Prg 1 + Prg 2); 13x 100V; 6x supervised switching inputs for text
Switching outputs (max. 120V AC; max. 2A AC)	2x „Emergency“ (break or open contact) 1x „Error“ (break or open contact) 1x „Power failure“ (break or open contact)
Voice memory	SD-card
Display	LCD 64 x 128 px, LEDs
Control panel	2 buttons, 6 programming buttons, selection wheel
Power supply	230V AC, 24V DC
Power consumption	< 40 W
Dimensions (WxHxD)	483 x 89 x 340 mm, 2 RU
Weight	6,7 kg

SAMPLE OF USE | 12 Zones Paging-System

PSC-012A



12-ZONES PAGING-SYSTEM

RCS



Description

The Paging-System PSC-012A is ideal for building paging systems with up to 12 lines. Additionally the system can be used for background music.

The compact device is designed for the installation in 19" cabinets and offers high flexibility because of only 2 RU required space.

Please consider the following features:

- Easy configuration directly on the device using the clear display with auto run configuration to detect the connected devices.
- Freely programmable signal memory with SD card for attention signals or announcements.
- Connection for up to 10 Digital microphone stations VLM-112/WO.
- 2 All call microphone stations with priority connectable (VS-050P).
- 6 Switching inputs to initiate signals or texts (e.g. via Telephoneinterface TIF-404C or the DCF-Mainclock PTC-240D).
- 2 program inputs with different priorities.
- Looping for external equalizer.
- Even with only one amplifier ready for operation. Up to 12 amplifiers can be connected.
- Operating with 230 V mains or 24V DC power supply.

- The volume of the background program can be determined separately for each of the six LINE outputs to the amplifiers.

★

ACCESSORIES | optional

Digital Microphone Station



Digital Microphone Station, VLM-112

Electret microphone with cardioid characteristic, to control 12 lines

Digital Microphone Station, VLM-112WO

as VLM-112 but without RR-120

Function Extension Module, for VLM-112 VLE-004

to control and display further special functions (via separate line)

All Call microphone station, VS-050P

Screw-type connector, balanced, priority

Model designation

12 Zones Paging-System, 2 RU, PSC-012A